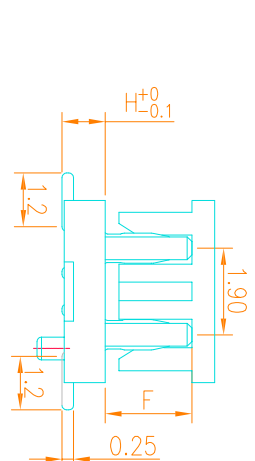
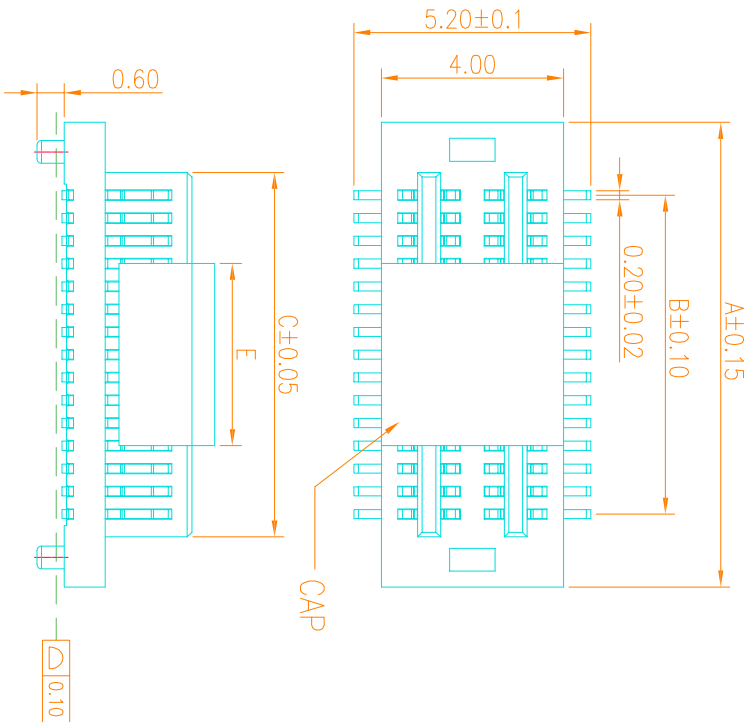
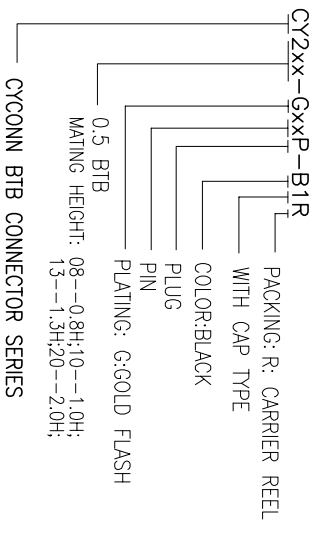
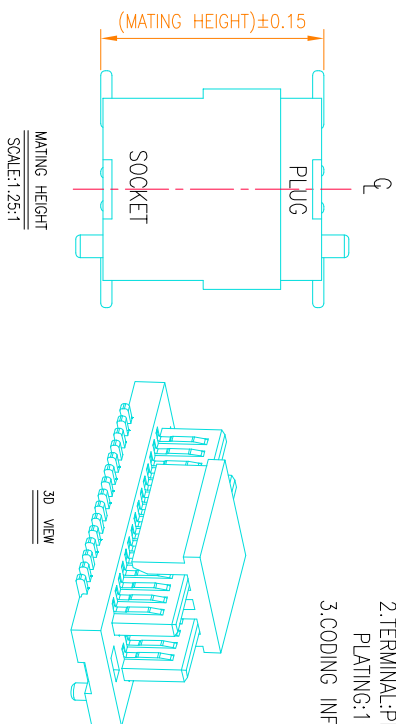
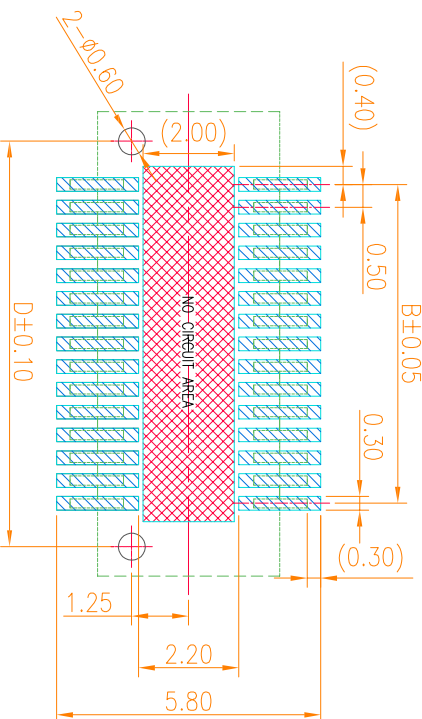
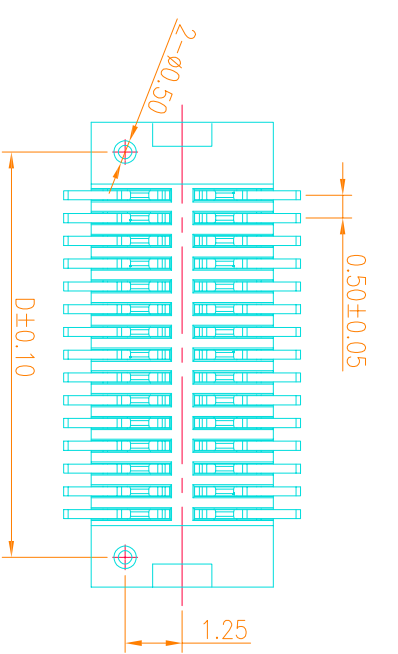


NOTES:

- 1.HOUSING: PA9T HIGH-TEMP THERMOPLASTIC UL94V-0 COLOR:BLACK
- 2.TERMINAL:PHOSPHOR BRONZE
PLATING:1μ" GOLD FLASH OVERALL 50~100μ" NICKEL UNDER PLATED.
- 3.CODING INFORMATION: CY2xx-GxxP-B1R



MATING HEIGHT (H)	PLUG (H)	SOCKET (H)	F	NO.of contacts	Dimensions					NO.of contacts	Dimensions				
					A	B	C	D	E		A	B	C	D	E
3.0	0.8	2.2	1.6	4	3.70	0.50	1.56	2.40		54	16.20	13.00	14.06	14.90	
3.5	1.3	2.2	1.6	6	4.20	1.00	2.06	2.90		56	16.70	13.50	14.56	15.40	
4.0	1.0	3.0	1.9	8	4.70	1.50	2.56	3.40		58	17.20	14.00	15.06	15.90	
4.5	1.0	3.5	1.9	10	5.20	2.00	3.06	3.90		60	17.70	14.50	15.56	16.40	
5.0	1.0	4.0	1.9	12	5.70	2.50	3.56	4.40		62	18.20	15.00	16.06	16.90	
5.5	1.0	4.5	1.9	14	6.20	3.00	4.06	4.90		64	18.70	15.50	16.56	17.40	
6.0	2.0	4.0	1.9	16	6.70	3.50	4.56	5.40		66	19.20	16.00	17.06	17.90	
6.5	2.0	4.5	1.9	18	7.20	4.00	5.06	5.90		68	19.70	16.50	17.56	18.40	
				20	7.70	4.50	5.56	6.40	4.00	70	20.20	17.00	18.06	18.90	
				22	8.20	5.00	6.06	6.90		72	20.70	17.50	18.56	19.40	
				24	8.70	5.50	6.56	7.40		74	21.20	18.00	19.06	19.90	
				26	9.20	6.00	7.06	7.90		76	21.70	18.50	19.56	20.40	
				28	9.70	6.50	7.56	8.40		78	22.20	19.00	20.06	20.90	
				30	10.20	7.00	8.06	8.90		80	22.70	19.50	20.56	21.40	
				32	10.70	7.50	8.56	9.40		82	23.20	20.00	21.06	21.90	
				34	11.20	8.00	9.06	9.90		84	23.70	20.50	21.56	22.40	
				36	11.70	8.50	9.56	10.40		86	24.20	21.00	22.06	22.90	
				38	12.20	9.00	10.06	10.90		88	24.70	21.50	22.56	23.40	
				40	12.70	9.50	10.56	11.40		90	25.20	22.00	23.06	23.90	
				42	13.20	10.00	11.06	11.90	8.00	92	25.70	22.50	23.56	24.40	
				44	13.70	10.50	11.56	12.40		94	26.20	23.00	24.06	24.90	
				46	14.20	11.00	12.06	12.90		96	26.70	23.50	24.56	25.40	
				48	14.70	11.50	12.56	13.40		98	27.20	24.00	25.06	25.90	
				50	15.20	12.00	13.06	13.90		100	27.70	24.50	25.56	26.40	



RECOMMENDED PCB PATTERN DIM.
TOLERANCE : ±0.05

RoHS Compliant 2013/95/EC



修订	修改摘要	签名	日期
SSR	REVISION DESCRIPTION	SIGNATURE	DATE

版本 A	公差	标准 (APP)
CONGRUITY TOLERANCES	±0.25	
FORM	±0.15	
POSITION	±0.05	
ASSEMBLY	±0.1	

图号 (DRAW):	品名 (PART NO):	料号 (PART NO):	比例 (SCALE):	张数 (SHEET):	图幅 (SIZE):
0.5mm 双槽BTB PLUG	CY2xx-GxxP-B1R	1:8	1 OF 1		A4

东莞市创亿科技有限公司
DONGGUAN CYCONN TECHNOLOGY CO., LTD