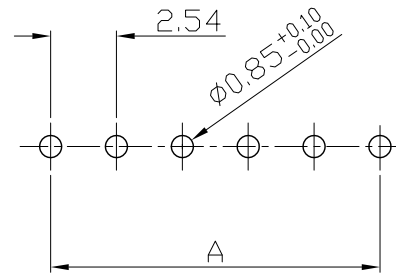
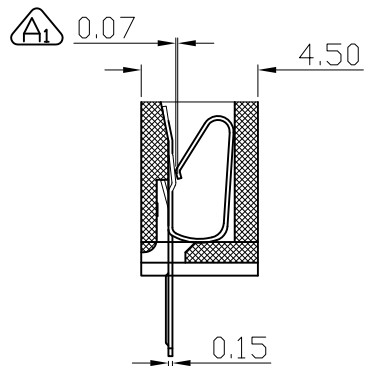
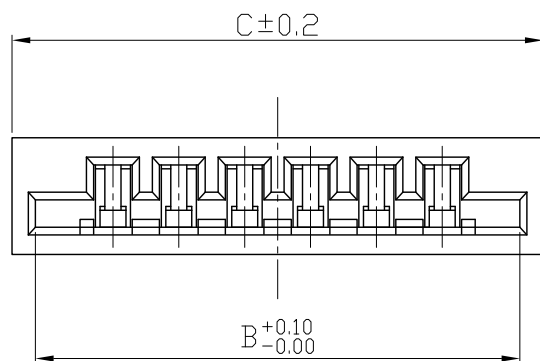
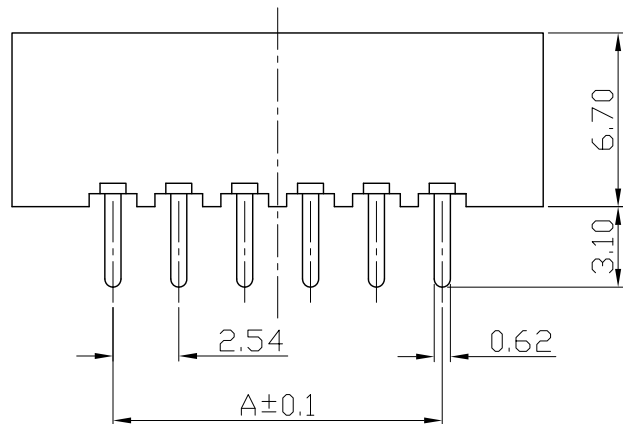


ROHS



PCB 寸法  
PCB Layout

TABLE :

N	A	B	C
3	5.08	11.06	12.86
4	7.62	13.60	15.40
5	10.16	16.14	17.94
6	12.70	18.68	20.48
7	15.24	21.22	23.02
8	17.78	23.76	25.56
9	20.32	26.30	28.10
10	22.86	28.84	30.64
11	25.40	31.38	33.18
12	27.94	33.92	35.72
13	30.48	36.46	38.26
14	33.02	39.00	40.80
15	35.56	41.54	43.34
16	38.10	44.08	45.88
17	40.64	46.62	48.42
18	43.18	49.16	50.96
19	45.72	51.70	53.50
20	48.26	54.25	56.04
21	50.80	56.78	58.58
22	53.34	59.32	61.12
23	55.88	61.86	63.66
24	58.42	64.40	66.20
25	60.96	66.94	68.74
26	63.50	69.48	71.28
27	66.04	72.02	73.82
28	68.58	74.56	76.36
29	71.12	77.10	78.90
30	73.66	79.64	81.44
31	76.20	82.18	83.98
32	78.74	84.72	86.52
33	81.28	87.26	89.06

TABLE 2: TABLE 1:

Z	包装方式	Y	材质
1	管装	A	PA 46
2	盘装	B	LCP
3	袋装	C	PA 9T

额定电流 Current rating: 0.4A  
 额定电压 Voltage rating: 50V  
 耐电压 Withstand coltage: 200V AC/minute  
 接触电阻 Contact resistance : ≦20mΩ  
 绝缘电阻 Insulation resistance: 500MΩ  
 工作温度 Working temperature: -20℃ ~ +80℃

ITEM	东莞市创亿科技有限公司 DONGGUAN CYCONN TECHNOLOGY CO.,LTD		ANGLE PROJECTION	UNIT	mm		
	PART NO	2.54-1-nP	TOLERANCE	SCALE	1:1	REVISION	变更端子结构
DATE							
			.x±0.2 .xx±0.10	SHEET	10F1		