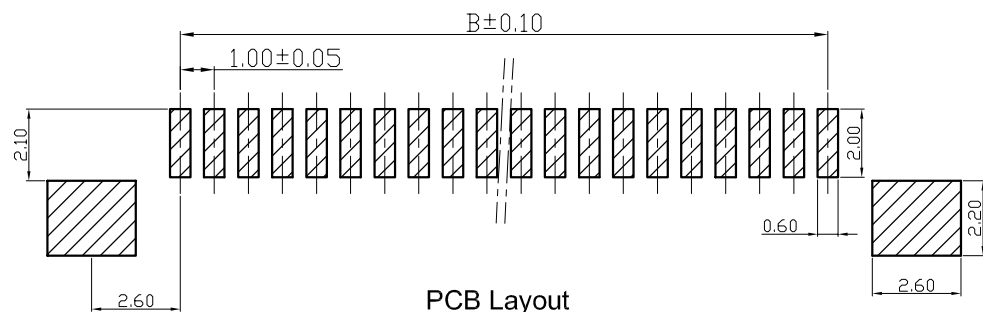
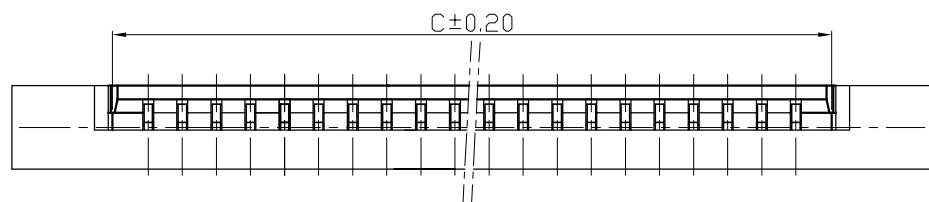
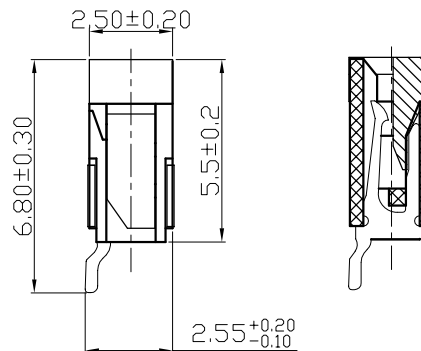
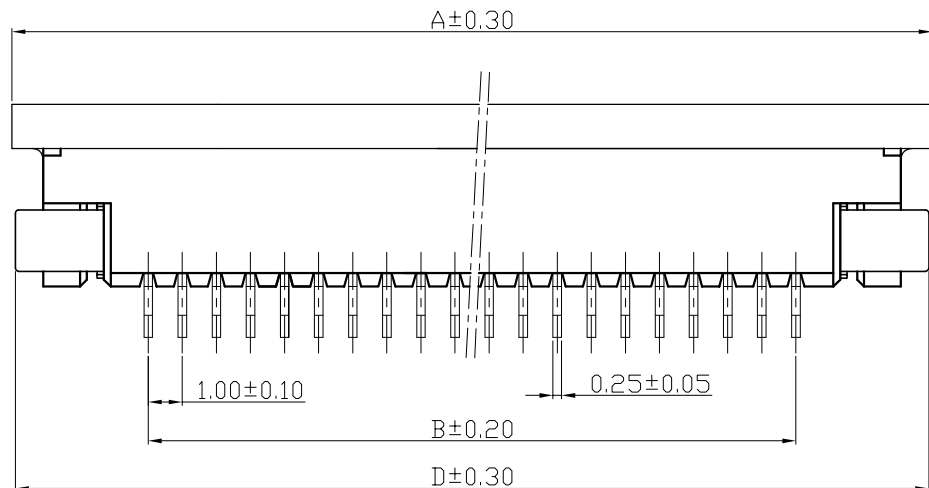


REV	DESCRIPTION	MARK
X1	first edition	



PCB Layout

性能:

额定电流: 0.5A

额定电压: 50V

耐电压: 500V

接触电阻: 30mΩ

绝缘电阻: 500MΩ

工作温度: -20°C ~ +85°C

锁条 (材质): PPS, UL94V-0

基座 (材质): PA46, UL94V-0

插簧 (材质): 磷青铜, 镀锡

焊片 (材质): 磷青铜, 镀锡

孔数	A	B	C	D
4	11.00	3.00	5.35	10.70
5	12.00	4.00	6.35	11.70
6	13.00	5.00	7.35	12.70
7	14.00	6.00	8.35	13.70
8	15.00	7.00	9.35	14.70
9	16.00	8.00	10.35	15.70
10	17.00	9.00	11.35	16.70
11	18.00	10.00	12.35	17.70
12	19.00	11.00	13.35	18.70
13	20.00	12.00	14.35	19.70
14	21.00	13.00	15.35	20.70
15	22.00	14.00	16.35	21.70
16	23.00	15.00	17.35	22.70
17	24.00	16.00	18.35	23.70
18	25.00	17.00	19.35	24.70
19	26.00	18.00	20.35	25.70
20	27.00	19.00	21.35	26.70
21	28.00	20.00	22.35	27.70
22	29.00	21.00	23.35	28.70
23	30.00	22.00	24.35	29.70
24	31.00	23.00	25.35	30.70
25	32.00	24.00	26.35	31.70
26	33.00	25.00	27.35	32.70
27	34.00	26.00	28.35	33.70
28	35.00	27.00	29.35	34.70
29	36.00	28.00	30.35	35.70
30	37.00	29.00	31.35	36.70
31	38.00	30.00	32.35	37.70
32	39.00	31.00	33.35	38.70
33	40.00	32.00	34.35	39.70
34	41.00	33.00	35.35	40.70
35	42.00	34.00	36.35	41.70
36	43.00	35.00	37.35	42.70
37	44.00	36.00	38.35	43.70
38	45.00	37.00	39.35	44.70
39	46.00	38.00	40.35	45.70
40	47.00	39.00	41.35	46.70

东莞市创亿科技有限公司
DONGGUAN CYCONN TECHNOLOGY CO., LTD

PART NO.: 1.0S-1X-nPWB

X. ±	X* ±	MAT'L	APPD:
.X ± 0.1	.X* ± 0.1*	\\	
.XX ± 0.05	.XX* ± 0.05*	FINISH	CHKD:
.XXX ±	.XXX* ±	\\	

CUS PART NO.:

UNITS: mm	Q'TY \\	DR:
-----------	---------	-----

DATE: 2009.04.16
VERSION: VI.0

SCALE: 1:1	SHEET: 1/1	REV: X1
------------	------------	---------