

SECTION A-A
SCALE 1:1

Note:

1. Material:

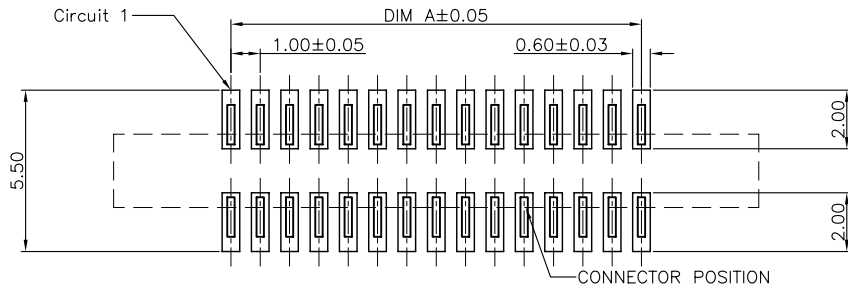
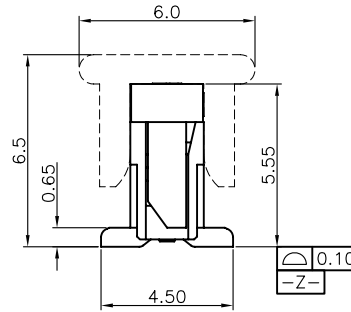
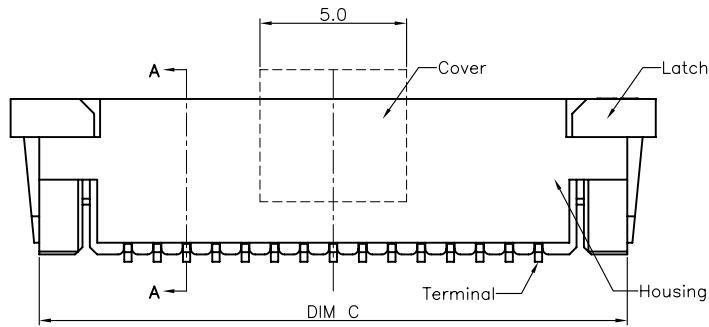
- 1.1 Housing: thermoplastic high temp.UL94V-0; Color: natural.
- 1.2 Latch: thermoplastic high temp.UL94V-0; Color: black.
- 1.3 Terminal: copper alloy.
- 1.4 Cover: thermoplastic high temp.UL94V-0; Color: black.

2. Finish:

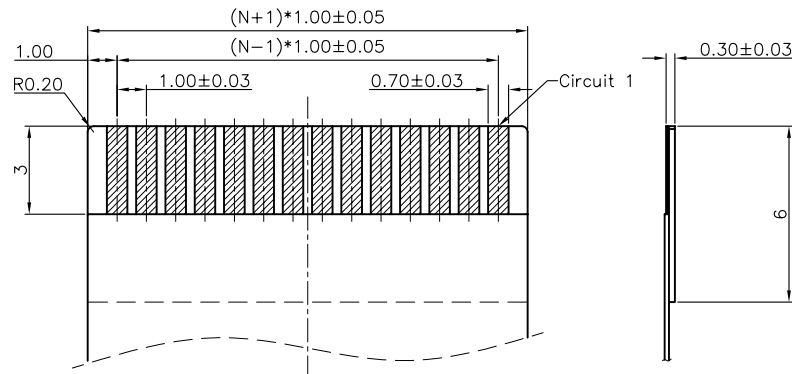
- 2.1 Terminal:
Underplating: Au/matt Tin overall.
- 2.2 Fitting Nail:
Underplating: matt Tin overall.

3. Product must comply HF RoHS specification.

CKTS	DIM A	DIM B	DIM C	DIM D
4	3.00	5.10	9.05	11.00
5	4.00	6.10	10.05	12.00
6	5.00	7.10	11.05	13.00
7	6.00	8.10	12.05	14.00
8	7.00	9.10	13.05	15.00
9	8.00	10.10	14.05	16.00
10	9.00	11.10	15.05	17.00
11	10.00	12.10	16.05	18.00
12	11.00	13.10	17.05	19.00
13	12.00	14.10	18.05	20.00
14	13.00	15.10	19.05	21.00
15	14.00	16.10	20.05	22.00
16	15.00	17.10	21.05	23.00
17	16.00	18.10	22.05	24.00
18	17.00	19.10	23.05	25.00
19	18.00	20.10	24.05	26.00
20	19.00	21.10	25.05	27.00
21	20.00	22.10	26.05	28.00
22	21.00	23.10	27.05	29.00
23	22.00	24.10	28.05	30.00
24	23.00	25.10	29.05	31.00
25	24.00	26.10	30.05	32.00
26	25.00	27.10	31.05	33.00
27	26.00	28.10	32.05	34.00
28	27.00	29.10	33.05	35.00
29	28.00	30.10	34.05	36.00
30	29.00	31.10	35.05	37.00



RECOMMENDED P.C.B. PATTERN LAYOUT



RECOMMENDED FPC/FFC DIMENSION

CUSTOMER DRAWING		东莞市创亿科技有限公司	
Tolerance Unspecified (未注公差)	Size (图幅): A4	DONGGUAN CYCONN TECHNOLOGY CO.,LTD	
0.0 ±0.15 0° ±5°	Unit (单位): MM	Product Name (产品名称):	
0.00 ±0.10 0° ±3°	Scale (比例): 1:1	1.0-1-nPB	
0.000 ±0.05 0° ±1°	Page (页数): 1 OF 1	Product No (产品料号):	
Project View (投影视角)	Rev (版本): A	Designer (设计):	Checked (审核):
Rev (版本):	Rev (版本):	Approved (核准):	

Rev	Change Description	Date	Revisor
A	初版发行	2011/03/23	Allan
版本	变更内容	日期	制/修订人

