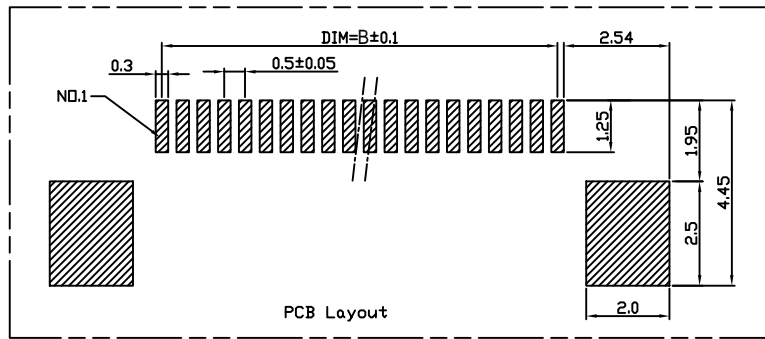


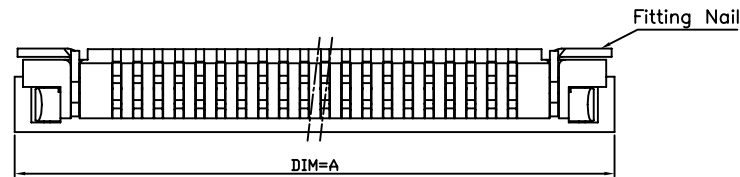
REV	DESCRIPTION	MARK
XI	first edition	



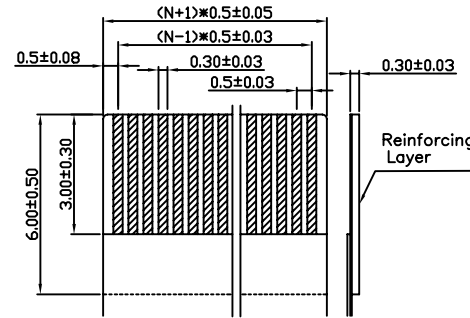
PCB Layout

Electrical Characteristics:
 Current rating: 0.4A AC/DC
 Voltage rating: 50V AC/DC
 Temperature range: -25°C~+85°C
 Withstand Voltage: 200V AC/Minute
 Contact Resistance ≤ 20mΩ
 Insulation resistance: ≥ 500MΩ
 Relative Humidity: 93%+40°C

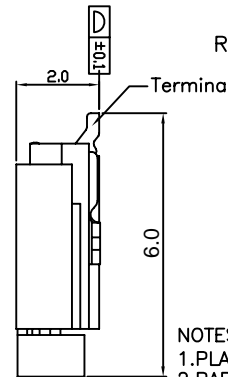
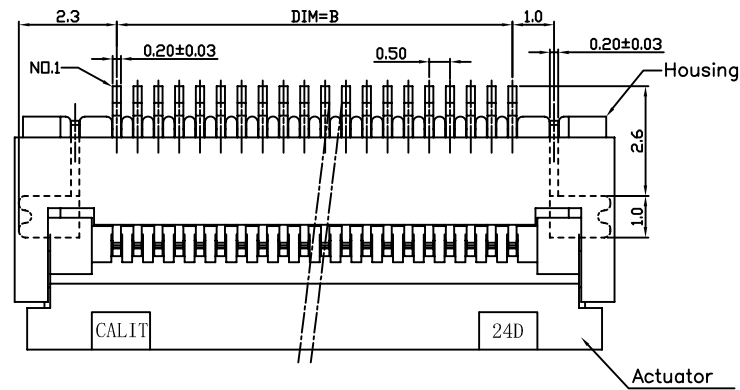
Material Description:
 Terminal: Phosphor Bronze Tin-Leadplated
 Fitting Nail: Brass Tin-plated
 Housing: Thermoplastic(UL94V-0)
 Actuator: Thermoplastic(UL94V-0)



DIM=A



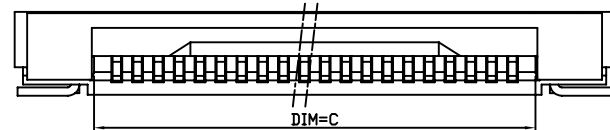
RECOMMENDED FFC/FPC DIM.



NOTES:
 1. PLASTIC BURRS 0.1mm MAX
 2. PART NO. SPECIFICATION: 0.5S-2X-nPWB



PIN数	DIM-A	DIM-B	DIM-C	PIN数	DIM-A	DIM-B	DIM-C
4P	6.4	1.50	2.60	51P	29.9	25.00	26.1
5P	6.9	2.00	3.1	52P	30.4	25.50	26.6
6P	7.4	2.50	3.6	53P	30.9	26.00	27.1
7P	7.9	3.00	4.1	54P	31.4	26.50	27.6
8P	8.4	3.50	4.6	55P	31.9	27.00	28.1
9P	8.9	4.00	5.1	56P	32.4	27.50	28.6
10P	9.4	4.50	5.6	57P	32.9	28.00	29.1
11P	9.9	5.00	6.1	58P	33.4	28.50	29.6
12P	10.4	5.50	6.6	59P	33.9	29.00	30.1
13P	10.9	6.00	7.1	60P	34.4	29.50	30.6
14P	11.4	6.50	7.6	61P	34.9	30.00	31.1
15P	11.9	7.00	8.1	62P	35.4	30.50	31.6
16P	12.4	7.50	8.6	63P	35.9	31.00	32.1
17P	12.9	8.00	9.1	64P	36.4	31.50	32.6
18P	13.4	8.50	9.6	65P	36.9	32.00	33.1
19P	13.9	9.00	10.1	66P	37.4	32.50	33.6
20P	14.4	9.50	10.6	67P	37.9	33.00	34.1
21P	14.9	10.00	11.1	68P	38.4	33.50	34.6
22P	15.4	10.50	11.6	69P	38.9	34.00	35.1
23P	15.9	11.00	12.1	70P	39.4	34.50	35.6
24P	16.4	11.50	12.6	71P	39.9	35.00	36.1
25P	16.9	12.00	13.1	72P	40.4	35.50	36.6
26P	17.4	12.50	13.6	73P	40.9	36.00	37.1
27P	17.9	13.00	14.1	74P	41.4	36.50	37.6
28P	18.4	13.50	14.6	75P	41.9	37.00	38.1
29P	18.9	14.00	15.1	76P	42.4	37.50	38.6
30P	19.4	14.50	15.6	77P	42.9	38.00	39.1
31P	19.9	15.00	16.1	78P	43.4	38.50	39.6
32P	20.4	15.50	16.6	79P	43.9	39.00	40.1
33P	20.9	16.00	17.1	80P	44.4	39.50	40.6
34P	21.4	16.50	17.6				
35P	21.9	17.00	18.1				
36P	22.4	17.50	18.6				
37P	22.9	18.00	19.1				
38P	23.4	18.50	19.6				
39P	23.9	19.00	20.1				
40P	24.4	19.50	20.6				
41P	24.9	20.00	21.1				
42P	25.4	20.50	21.6				
43P	25.9	21.00	22.1				
44P	26.4	21.50	22.6				
45P	26.9	22.00	23.1				
46P	27.4	22.50	23.6				
47P	27.9	23.00	24.1				
48P	28.4	23.50	24.6				
49P	28.9	24.00	25.1				
50P	29.4	24.50	25.6				



DIM=C

东莞市创亿科技有限公司 DONGGUAN CYCONN TECHNOLOGY CO.,LTD				PART NO. : 0.5S-2X-nPWB H=2.0mm	
X. ±	X* ±	MAT'L	APPD:	CUS PART NO. :	
.X ± 0.20	.X* ± 0.1°	FINISH	CHKD:	DATE	
.XX ± 0.10	.XX* ± 0.05°	Q'TY	DR:	2009.04.20	VERSION VI.0
.XXX ±	.XXX* ±	UNITS: mm	SCALE 1:1	SHEET 1/1	REV. XI